

November 1995

Data Sheet 13.02

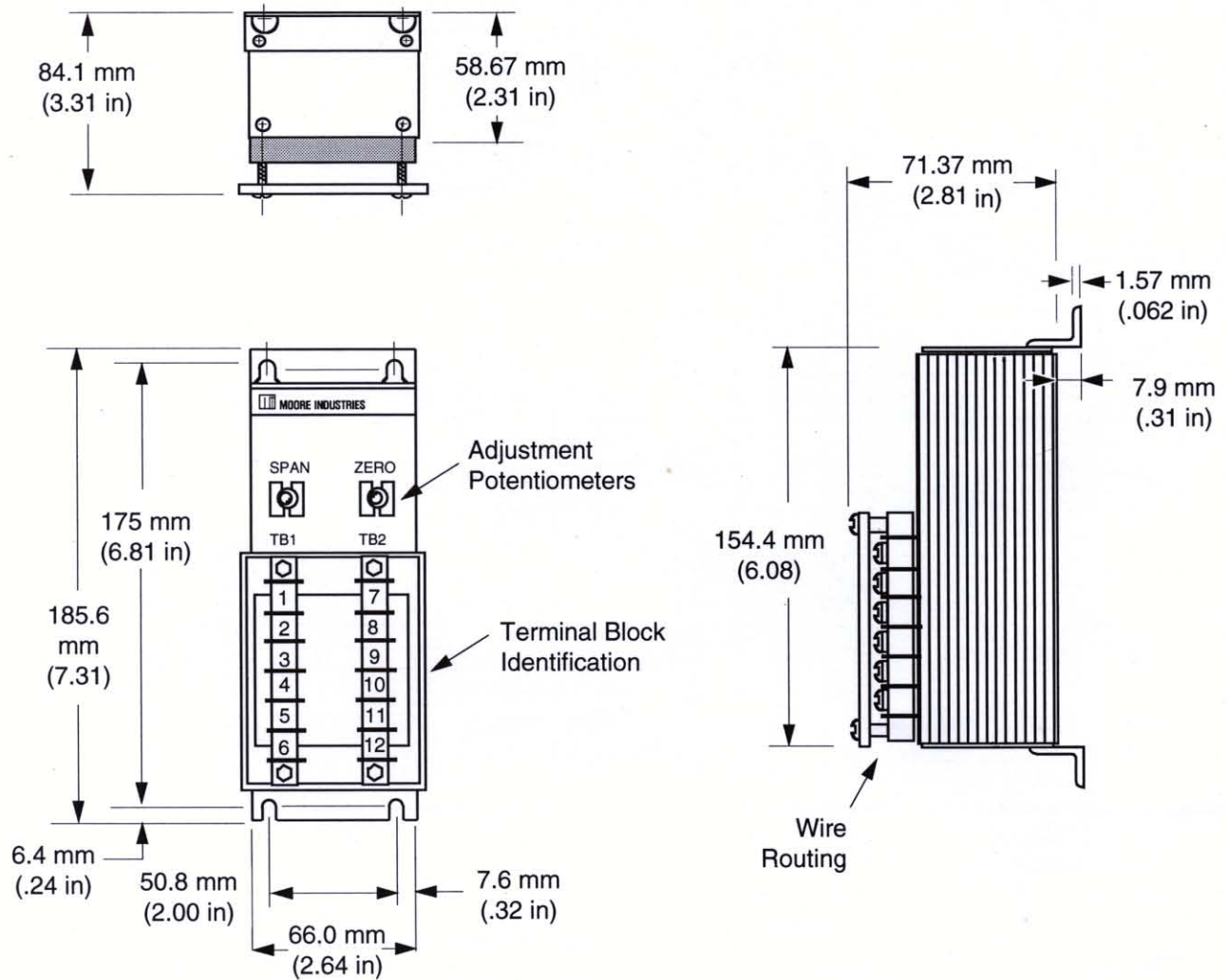


Table 1. Terminal Position Identification

NOTES

1. Complete model and serial number are permanently marked on identification plate located at upper end of terminal blocks.



Angle Mounting Bracket Housing

Table 1. Terminal Position Identification

Unit	1	2	3	4	5	6	7	8	9	10	11	12
ACT				DCC	DC	GND			CT/PT	CT/PT	+OUT	-OUT
ADB				DCC	DC	GND	+A	-A	+B	-B	+OUT	-OUT
ADM	+S1	+S2	-S	DCC	DC	GND	+S3	+S4	-S		+OUT	-OUT
ALM				DCC	DC	GND	CAL1	CAL2	+IN	-IN	+OUT	-OUT
ARB				DCC	DC	GND			+IN	-IN	+OUT	-OUT
ASM	+S1	+S2	-S	DCC	DC	GND	+S3	+S4	-S		+OUT	-OUT
AXB				DCC	DC	GND	+A	-A	+B	-B	+OUT	-OUT
DCA	UNO	COM	UNC	ACC	AC	GND	LNO	COM	LNC		+IN	-IN
DLM	CAL1	CAL2		ACC	AC	GND			+IN	-IN	+OUT	-OUT
FDT	SH			DCC	DC	GND			+IN	-IN	+OUT	-OUT
FSM	NO	COM	NC	ACC	AC	GND	+AP	-AP	+IN	-IN	+PO	-PO
LIT	CAL1	CAL2	CAL3	DCC	DC	GND			+IN	-IN	+OUT	-OUT
MSS	+S1	+S2	-S	ACC	AC	GND	+S3				+OUT	-OUT
MVA	UNO	COM	UNC	ACC	AC	GND	LNO	COM	LNC		+IN	-IN
MVT				DCC	DC	GND			+IN	-IN	+OUT	-OUT
PAM	+PX	+SC	-SC	ACC	AC	GND	+UP	-UP	+IN	-IN	+OUT	-OUT
PDR				DCC	DC	GND			+IN	-IN	+OUT	-OUT
PDT				DCC	DC	GND			+IN	-IN	+OUT	-OUT
PIT 4W				ACC	AC	GND					+I	-I
PPS				ACC	AC	GND					+OUT	-OUT
PSM	+S1	+S2	-S	ACC	AC	GND	+S3	+S4			+OUT	-OUT
PTT				DCC	DC	GND	A	B	C		+OUT	-OUT
RBA	UNO	COM	UNC	ACC	AC	GND	LNO	COM	LNC	A	B	C
RBT				DCC	DC	GND	A	B	C	D	+OUT	-OUT
SCT				DCC	DC	GND			+IN	-IN	+OUT	-OUT
SGT				DCC	DC	GND	+EX	-EX	+IN	-IN	+OUT	-OUT
SLM				ACC	AC	GND			+IN	-IN	+OUT	-OUT
SHM				DCC	DC	GND	+HC	-HC	+IN	-IN	+OUT	-OUT
SIT	CAL1	CAL2	CAL3	DCC	DC	GND			+IN	-IN	+OUT	-OUT
SRT				DCC	DC	GND			+IN	-IN	+OUT	-OUT
STM				DCC	DC	GND					+OUT	-OUT
TCA	UNO	COM	UNC	ACC	AC	GND	LNO	COM	LNC	TCR	TCR	TCR
TCT				DCC	DC	GND		TCR	TCR	TCR	+OUT	-OUT
								+IN	-IN			

Table 2. Key to Abbreviations

Key	Definition	Key	Definition
A, B, C, D	RTD or potentiometer inputs	IN	Input signal
+A, +B -A, -B	Dual inputs	LNC	Lower trip contact, NC
AC	AC power input	LNO	Lower trip contact, NO
ACC	ACC power return	OUT	Output signal
AP	Auxiliary pulse output	PO	Pulse output
CAL	Calibration	+PX	+12V @ 15mA (reference to -IN)
COM	Contact set common Input common	S (N)	Multiple inputs
CT/PT	Current transformer Potential transformer	SC	Selectable current output
DC	+DC power input	SH	Shield
DCC	-DC power input	TCR	Terminal block mounted temperature
EX	Auxiliary power supply output	UNC	Upper trip contact, NC
GND	Chassis ground	UNO	Upper trip contact, NO
HC	Hold command	UP	Update input
+I, -I	Power supply & current output		

NOTES

1. Numbers at top of columns refer to terminal position numbers shown in figure 2 on front of this sheet.
2. Power input designations shown are standard. For optional power inputs, labels are changed accordingly.
3. Center lug of temperature compensating resistor must connect to terminal 9 for TCT and to terminal 11 for TCA.
4. Table 2 is an explanation of terminal position symbols listed in table 1. Refer also to the block diagram on the data sheet of the unit in question.



The Interface Solution Experts • www.miinet.com

United States
Tel: (818) 894-7111
FAX: (818) 891-2816

Australia
Tel: (02) 9525-9177
FAX: (02) 9525-7296

Belgium
Tel: 03/448.10.18
FAX: 03/440.17.97

The Netherlands
Tel: (0)344-617971
FAX: (0)344-615920

United Kingdom
Tel: 01293 514488
FAX: 01293 536852